

## Type codes

<b>001</b>	<b>Series</b>
<b>NEBV</b>	Connecting cable for valves

<b>002</b>	<b>Product version</b>
	Standard
<b>C</b>	Easy-to-clean design

<b>003</b>	<b>Connection technology left, field device side</b>
<b>A1</b>	Socket type A, EN 175301-803
<b>B2</b>	Socket type B, industry standard, 11 mm
<b>C1S</b>	Socket type C, narrow design
<b>Z4</b>	Socket connection pattern ZC, metric screw
<b>Z3</b>	Socket connection pattern ZC, self-tapping screw
<b>M8</b>	Socket M8x1 A-coded, EN 61076-2-104
<b>M12</b>	Socket M12x1 A-coded, EN 61076-2-101
<b>S1</b>	Sub-D socket
<b>S7</b>	Sub-D HD socket
<b>H1</b>	Socket connection pattern H
<b>Q7</b>	Port pattern Q7 socket
<b>HS</b>	Socket connection pattern S

<b>004</b>	<b>Cable outlet left</b>
	None
<b>G</b>	Straight
<b>W</b>	Angled
<b>WA</b>	Angled 45°

<b>005</b>	<b>Number of pins/wires on the left</b>
<b>2</b>	2
<b>3</b>	3
<b>4</b>	4
<b>8</b>	8
<b>9</b>	9
<b>15</b>	15
<b>25</b>	25
<b>37</b>	37
<b>44</b>	44

<b>006</b>	<b>Display</b>
	None
<b>F</b>	LED signal status, AC
<b>L</b>	LED signal status, DC
<b>N</b>	LED switching state, NPN
<b>P</b>	LED switching state, PNP
<b>U</b>	LED, UC

<b>007</b>	<b>Additional socket functions</b>
	None
<b>HL</b>	Hood for MPA-L
<b>HM</b>	Hood for MPA-S
<b>HS</b>	With seal

<b>008</b>	<b>Circuitry</b>
	None
<b>P</b>	Protective circuit
<b>R</b>	Holding current reduction with integrated protective circuit

<b>009</b>	<b>Cable characteristic</b>
<b>P</b>	Basic
<b>K</b>	Standard
<b>E</b>	Suitable for energy chains
<b>F</b>	Food-safe to standard

<b>010</b>	<b>Cable design</b>
	Standard
<b>M</b>	Alternative material
<b>N</b>	Leads
<b>D</b>	Double cable

<b>011</b>	<b>Cable length [m]</b>
<b>0.1</b>	0.1
<b>0.2</b>	0.2
<b>0.3</b>	0.3
<b>0.5</b>	0.5
<b>0.6</b>	0.6
<b>1</b>	1
<b>2</b>	2
<b>2.5</b>	2.5
<b>3</b>	3
<b>5</b>	5
<b>10</b>	10

<b>012</b>	<b>Cable identification</b>
	With label holder
<b>N</b>	Without label holder

<b>013</b>	<b>Connection technology right, controller side</b>
<b>M8</b>	Plug M8x1 A-coded, EN 61076-2-104
<b>M12</b>	Plug M12x1 A-coded, EN 61076-2-101
<b>Z1</b>	Port pattern ZB plug, self-tapping screw
<b>LE</b>	Open end

<b>014</b>	<b>Plug</b>
	None
<b>G</b>	Straight
<b>W</b>	Angled

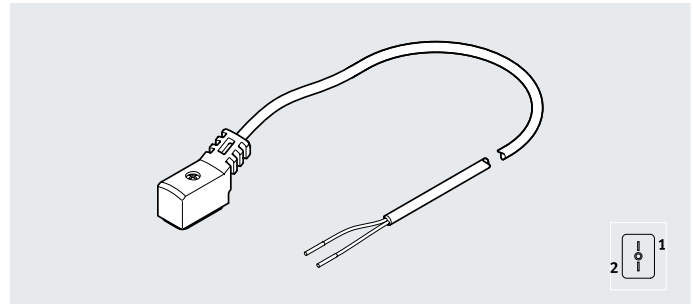
<b>015</b>	<b>Number of pins/wires on the right</b>
<b>2</b>	2
<b>3</b>	3
<b>4</b>	4
<b>5</b>	5
<b>10</b>	10
<b>15</b>	15
<b>25</b>	25
<b>26</b>	26
<b>27</b>	27
<b>36</b>	36
<b>37</b>	37
<b>39</b>	39
<b>44</b>	44

<b>016</b>	<b>Degree of protection, electrical system</b>
	Standard
<b>S6</b>	IP40
<b>S1</b>	IP65
<b>S9</b>	IP65/IP67
<b>S10</b>	IP65/IP67/IP69K

## Datasheet

### Connecting cable NEBV-Z3WA2L

- Connecting cable
- Pre-assembled at both ends
- For connecting valves



#### General technical data

##### Electrical connection 1

Function	Field device side
Connection type	Socket
Cable outlet	Angled
Design type	Rectangular
Connection technology	Plug pattern ZC, self-tapping screw
Number of pins/wires	2
Assigned pins/wires	2
Type of mounting	On solenoid valve via self-tapping screw
Signal status indication	Yellow LED
Additional functions	Holding current reduction, protective circuit

##### Electrical connection 2

Function	Controller side
Connection type	Cable
Connection technology	Open end
Number of pins/wires	2
Assigned pins/wires	2

#### Technical data – Electrics

Nominal operating voltage	[V DC]	24
Operating voltage range	[V DC]	20.4 ... 26.4
Surge resistance	[kV]	2.4
Pollution degree		3
Contact durability		50
Reverse polarity protection		Bipolar
Protective earth connection		Not provided

#### Technical data – Cable

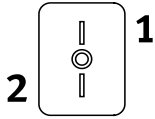
Cable composition	[mm <sup>2</sup> ]	2x 0.14
Cable diameter	[mm]	2.9
Cable diameter tolerance	[%]	±0.1
Nominal conductor cross section	[mm <sup>2</sup> ]	0.14
Cable characteristic		Suitable for energy chains
Cable test conditions		Test conditions on request
Bending radius, flexible cable installation	[mm]	≥29
Cable designation		Without inscription label holder

## Datasheet

Materials	
Housing	TPE-U(PU)
Housing colour	Black
Insulating sheath	PP
Screws	Steel
Pin contacts	Tin-plated copper alloy
Cable sheath	TPE-U(PUR)
Cable sheath colour	Grey
Note on materials	RoHS-compliant

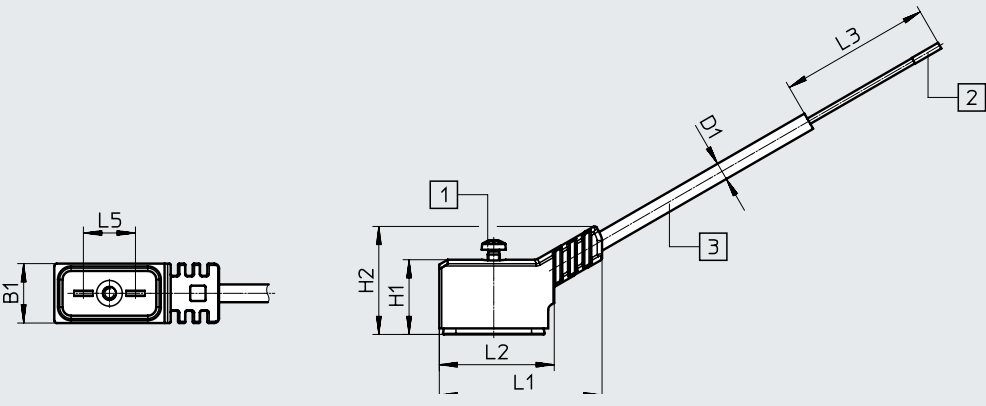
Operating and environmental conditions	
Ambient temperature [°C]	-10 ... +50
CE marking (see declaration of conformity) <sup>2)</sup>	To EU EMC Directive <sup>1)</sup>
	To EU RoHS Directive
Degree of protection	IP65
Note on degree of protection	In assembled state

- 1) For information about the area of use, see the EC declaration of conformity at: [www.festo.com/catalogue/NEBV](http://www.festo.com/catalogue/NEBV) → Support/Downloads.  
If the devices are subject to usage restrictions in residential, commercial or light-industrial environments, further measures for the reduction of the emitted interference may be necessary.
- 2) Additional information: [www.festo.com/catalogue/NEBV](http://www.festo.com/catalogue/NEBV) → Support/Downloads.

Circuitry (socket/plug view)				
Electrical connection 1	Pin	Wire colour <sup>1)</sup>	Pin	Electrical connection 2
	1	BK	-	Open end
	2	BK	-	

1) To IEC 757

**Dimensions** Download CAD data → [www.festo.com](http://www.festo.com)



[1] Retaining screw  
[2] Wire end sleeve  
[3] Cable, length depending on the order

Type	B1	D1 ∅	H1	H2	L1	L2	L3	L5
NEBV-Z3WA2L	9.7	2.9	12	17.5	26.9	19	50	8.4

## Datasheet

<b>Ordering data</b>				
Electrical connection	Cable length [m]	Weight [g]	Part no.	Type
Angled socket, plug pattern ZC, self-tapping screw	2.5	50	<b>8047676</b>	<b>NEBV-Z3WA2L-R-E-2.5-N-LE2-S1</b>
	5	90	<b>8047677</b>	<b>NEBV-Z3WA2L-R-E-5-N-LE2-S1</b>
	10	170	<b>8047675</b>	<b>NEBV-Z3WA2L-R-E-10-N-LE2-S1</b>

## Ordering data – Modular product system

Ordering table		Conditions	Code	Enter code
Module no.	<b>8003577</b>			
Connecting cable	Connecting cables for valves		<b>NEBV</b>	NEBV
Connection technology on the left, field device side	Socket, plug pattern ZC, self-tapping screw		<b>-Z3</b>	-Z3
Cable outlet on the left	Angled 45°		<b>WA</b>	WA
Number of pins/wires on the left	2-pin		<b>2</b>	2
Display	Signal status LED		<b>L</b>	L
Circuitry	Holding current reduction with integrated protective circuit		<b>-R</b>	-R
Cable characteristic	Suitable for energy chains		<b>-E</b>	-E
Cable length	[m] 2.5		<b>-2.5</b>	
	[m] 5		<b>-5</b>	
	[m] 10		<b>-10</b>	
Cable designation	Without inscription label holder		<b>-N</b>	-N
Connection technology on the right, controller side	Open end		<b>-LE</b>	-LE
Number of pins/wires on the right	2-pin		<b>2</b>	2
Degree of protection, electrical system	IP65		<b>-S1</b>	-S1